

Table of Contents Heavy Duty Trip Edge Blade

Trip Edge Blade Assembly.....	2
Power Angling Assembly.....	7
Trip Edge Wing Assembly.....	13

Important note:

Lift frames for this specific blade are listed below:

- Lift Frame QLII-HI-DLC-GA
- Lift Frame QLIII-HI-DLC-GA
- Lift Frame QLIIV-HI-DLC-GA

For more information about the lift frame, check under Lift frame section.

ARCTIC HDTE-P

Arctic Heavy Duty Trip Edge Blade 90", 96" & 108"

 **Warning**

Do not exceed GVWR or GAWR, including blade and ballast. The rating label is found on the driver side vehicle door corners.

Lower the blade when the vehicle is parked. Temperature changes could change hydraulic pressure, causing the blade to drop unexpectedly or damaging hydraulic components. Failure to do this can result in serious personal injury.

Servicing the trip springs without special tools and knowledge could result in personal injury. See Arctic authorized dealer for service.

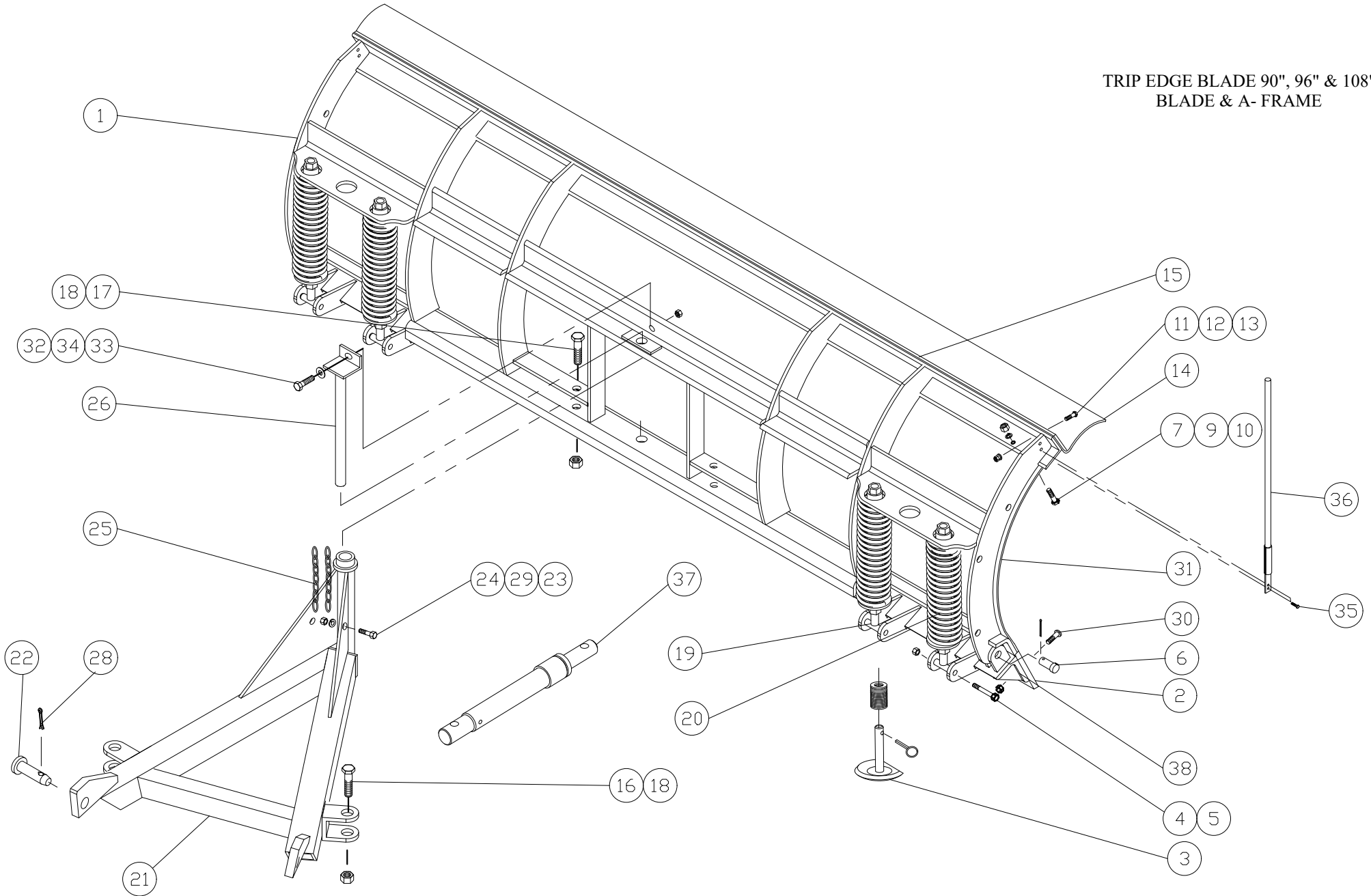
Inspect snowplow components and bolts for wear and damage when mounting or removing snowplow and before traveling.

Keep hands and feet clear of the blade, A-frame and cylinders when mounting or removing the snowplow. Moving or falling assemblies could cause personal injury. Never use a finger to check an alignment. Moving or falling assemblies could crush your finger.

Do not stand between the vehicle and the blade or within 10' of a moving blade. A moving or falling blade could cause personal injury.

To prevent accidental movement of the blade, always turn the control OFF whenever the snowplow is not in use.

TRIP EDGE BLADE 90", 96" & 108"
BLADE & A-FRAME



Heavy Duty Trip Edge Blade Assembly 90" (52482-M-GA), 96" (52483-M-GA) and 108" (52485-M-GA), A-frame and Hardware Galvanized			
Item	Description	Part Number	Quantity
1	52438-03-D-GA	90" Trip Edge Frame Galvanized	1
	52438-04-D-GA	96" Trip Edge Frame Galvanized	
	52438-06-D-GA	108" Trip Edge Frame Galvanized	
2	52233-M	Steel Cutting Edge 90", Top Punch 1/2" x 6" x 90"	1
	52234-M	Steel Cutting Edge 96", Top Punch 1/2" x 6" x 96"	
	52236-M	Steel Cutting Edge 108", Top Punch 1/2" x 6" x 108"	
	50035-N	Steel Cutting Edge, Center Punch 1/2" x 6" x 90"	
	50036-N	Steel Cutting Edge, Center Punch 1/2" x 6" x 96"	
	51161-C	Steel Cutting Edge, Center Punch 1/2" x 6" x 108"	
*3	53322-M	Trip Edge Shoe Assembly Galvanized	2
**3a	53322-A	Trip Edge Shoe Galvanized	1
3b	55017-N	1" Adjustment Washers	15
3c	50040-A	Quick Release Pin	1
4	HH-00540-004	1/2" Nylon Nut	4
5	HH-00972-100	1/2" x 4" Bolt	4
6	52442-M	3/4 x 2-1/8" Rivet c/w Cotter Pin	6
7	HH-00971-136	1/2" x 1-1/2" Carriage Bolt (for 90", 96")	8
	HH-00971-136	1/2" x 1-1/2" Carriage Bolt (for 108")	10
9	HH-00457-001	1/2" Lock Washer (for 90", 96")	8
	HH-00457-001	1/2" Lock Washer (for 108")	10
10	HH-00294-005	1/2" NC Nut (for 90", 96")	8
	HH-00294-005	1/2" NC Nut (for 108")	10
***11	HH-00971-044	5/16" x 1-1/4" Carriage Bolt (for 90", 96")	8
	HH-00971-044	5/16" x 1-1/4" Carriage Bolt (for 108")	10
***12	HH-00457-007	5/16" Lock Washer (for 90", 96")	8
	HH-00457-007	5/16" Lock Washer (for 108")	10
***13	HH-00294-002	5/16" NC Nut (for 90", 96")	8
	HH-00294-002	5/16" NC Nut (for 108")	10
14	52245-M	90" Poly Deflector	1
	52245-CR	90" Curved Deflector	
	52246-M	96" Poly Deflector	
	52246-CR	96" Curved Deflector	
	52280-M	108" Poly Deflector	
	52280-CR	108" Curved Deflector	
15	52239-M	90" Strap	1
	52240-M	96" Strap	
	52279-M	108" Strap	
16	HH-00972-152	3/4" x 3-1/4" Bolt	2
17	HH-00972-153	3/4" x 3-1/2" Bolt	2
18	HH-00973-007	3/4" Hex Nut Nylon Insert	4

Heavy Duty Trip Edge Blade Assembly 90" (52482-M-GA), 96" (52483-M-GA) and 108" (52485-M-GA), A-frame and Hardware Galvanized			
Item	Description	Part Number	Quantity
19	52440-C	Spring Tube Assembly (does not include spring)	4
20	52441-M	Trip Edge Spring	4
21	52463-D-GA	Trip Edge A-Frame Galvanized	1
22	53325-A	Spreader Pin	2
23	HH-00972-090	½" x 1-1/2" Bolt	2
24	HH-00460-002	½" Nut	2
25	55018-M	Chain (Hi-Boy)	2
26	52488-B	Pivot Shaft	1
28	HH-00020-164	Cotter Pin	2
29	HH-00457-001	½" Lock Washer	2
30	52593-8-M	½" x 1-3/4" Carriage Bolt Assembly(for 90"&96")	package of 8
	52593-10-M	½" x 1-3/4" Carriage Bolt Assembly (for 108")	package of 10
31	52228-02-D	Blade Skin - 90" (orange)	1
	52228-02-D-PLAT	Blade Skin - 90" (gray)	
	52228-03-D	Blade Skin - 96" (orange)	
	52228-03-D-PLAT	Blade Skin - 96" (gray)	
	52277-D	Blade Skin - 108" (orange)	
	52277-D-PLAT	Blade Skin - 108" (gray)	
32	HH-00972-090	½" x 1-1/2" Bolt	1
33	HH-00540-004	½" Lock Nut	1
34	HH-00341-006	½" Flat washer	1
35	GB001	Guide Bolt Ass'y	4
36	50999-B	Blade Guide	2
37	CS150-10.00-NRS	1 ½ x 10 angling cylinder	2
38	52443-03-D-GA	Bottom Angle 90"	1
	52443-04-D-GA	Bottom Angle 96"	1
	52443-06-D-GA	Bottom Angle 108"	1

* Item #3 was 52920-C

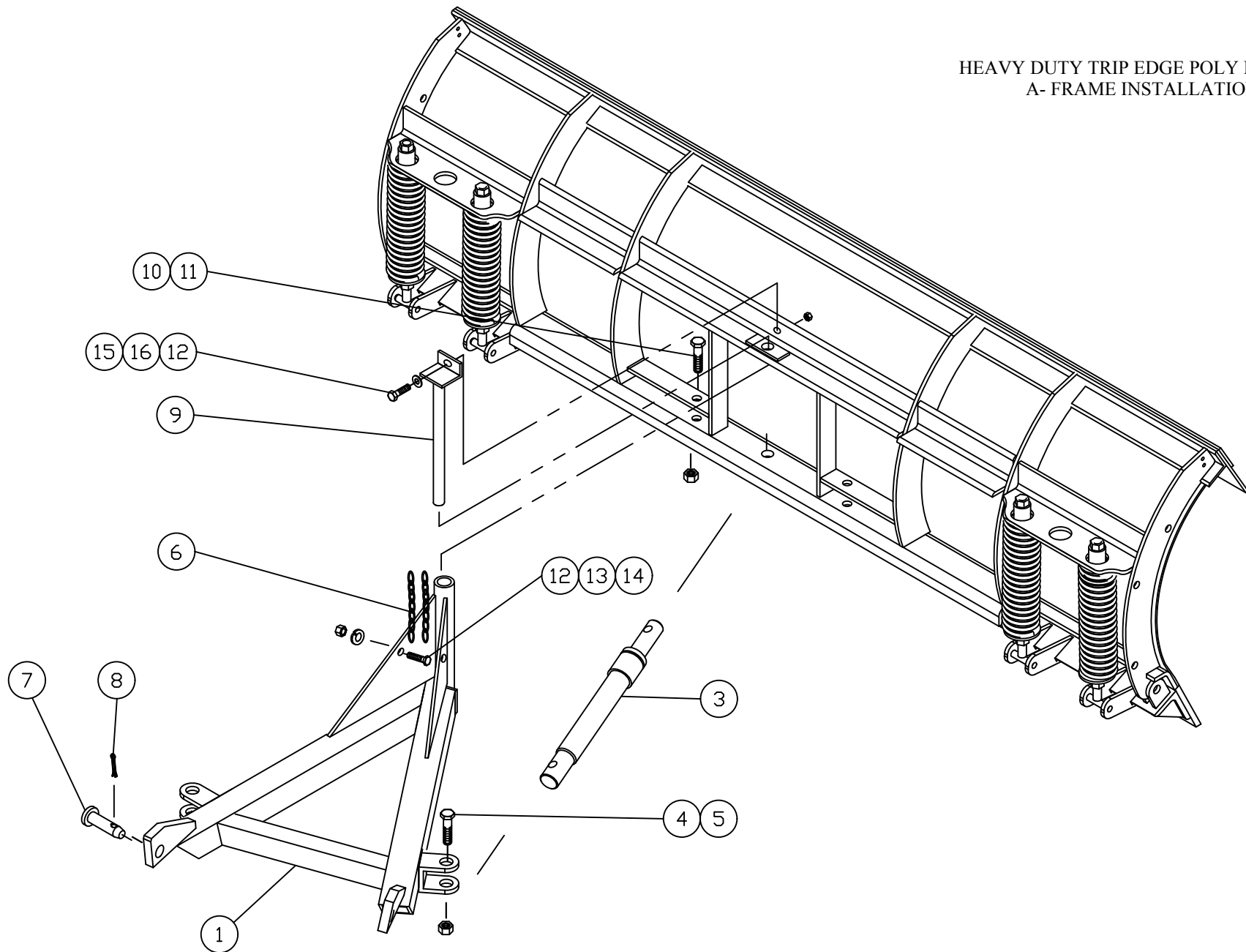
** Item 3a was 52921-C

*** Items part of 52288-M bolt bag

Arctic Equipment Manufacturing Corporation reserves the right under its product improvement policy to change construction or design details and furnish equipment when so altered without reference to illustrations or specifications used.

Power Angling 52494-M-GA for Trip Edge Blade

HEAVY DUTY TRIP EDGE POLY BLADE & A-FRAME INSTALLATION





Warning

Do not exceed GVWR or GAWR, including blade and ballast. The rating label is found on the driver side vehicle door corners.



Warning

Lower the blade when the vehicle is parked. Temperature changes could change hydraulic pressure, causing the blade to drop unexpectedly or damaging hydraulic components. Failure to do this can result in serious personal injury.



Warning

Servicing the trip springs without special tools and knowledge could result in personal injury. See Arctic authorized dealer for service.



Warning

Inspect snowplow components and bolts for wear and damage when mounting or removing snowplow and before traveling.



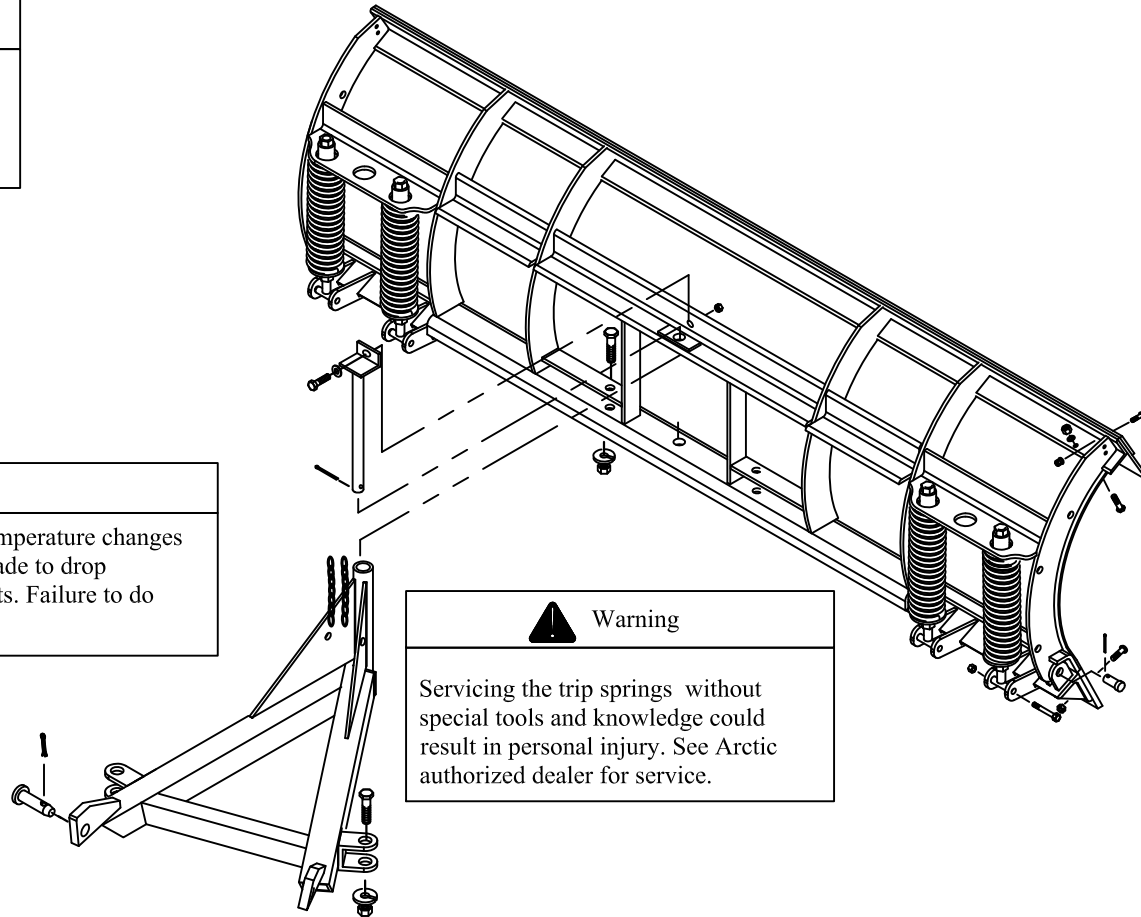
Warning


Keep hands and feet clear of the blade, A-frame and cylinders when mounting or removing the snowplow. Moving or falling assemblies could cause personal injury. Never use a finger to check an alignment. Moving or falling assemblies could crush your finger.



Warning

Do not stand between the vehicle and the blade or within 10' of a moving blade. A moving or falling blade could cause personal injury.



 **Warning**

Do not exceed GVWR or GAWR, including blade and ballast. The rating label is found on the driver side vehicle door corners.

Lower the blade when the vehicle is parked. Temperature changes could change hydraulic pressure, causing the blade to drop unexpectedly or damaging hydraulic components. Failure to do this can result in serious personal injury.

Servicing the trip springs without special tools and knowledge could result in personal injury. See Arctic authorized dealer for service.

Inspect snowplow components and bolts for wear and damage when mounting or removing snowplow and before traveling.

Keep hands and feet clear of the blade, A-frame and cylinders when mounting or removing the snowplow. Moving or falling assemblies could cause personal injury. Never use a finger to check an alignment. Moving or falling assemblies could crush your finger.

Do not stand between the vehicle and the blade or within 10' of a moving blade. A moving or falling blade could cause personal injury.

To prevent accidental movement of the blade, always turn the control OFF whenever the snowplow is not in use.

Trip Edge Power Angling Assembly 52494-M-GA Galvanized			
Item	Part Number	Description	Quantity
1	52463-D-GA	Trip Edge A-frame	1
2	HH-00232-001	1/8 Grease Fitting	1
3	CS150-10.00-NRS	1.1/2"x10" Angling Cylinder	2
4	HH-00972-153	3/4" -16x3.1/4 Hex Head Cap Screw	2
5	HH-00973-007	3/4" Hex Nut Nylon Insert	2
6	55018-M	Chain	2
7	53325-A	Spreader Pin	2
8	HH-00020-164	Cotter pin	2
9	52488-B-GA	Pivot Shaft Trip Edge Galvanized	1
10	HH-00972-153	3/4-16x3.1/2 Hex Head Cap Screw	2
11	HH-00973-007	3/4" Hex Nut Nylon Insert	2
12	HH-00972-090	1/2-20x1.1/2 Hex Head Cap Screw	2
13	HH-00460-002	1/2-20 Hex Nut	2
14	HH-00457-001	1/2 Lock washer	2
15	HH-00540-004	1/2" Lock Nut	1
16	HH-00341-006	1/2" Flat washer	1

Installation Instructions

1. Lay blade face down on the floor. Attach A-frame (1) to blade by inserting pivot shaft (9) through the hole in the A frame tube and blade cross members. Secure the pivot shaft (9) with the 1/2" bolt.
2. Apply grease at the A frame tube grease fitting. Grease should be reapplied periodically.
3. Secure cylinders (3) with bolts to the blade using 3/4" bolt (4), and 3/4" hug lock nut (5).

To attach snowplow to vehicle mount, proceed as follows:

1. Position the vehicle such that the A-frame (1) lugs and vehicle mount are in vertical alignment.
2. Hook the chains (11) into the lift channel slots.
3. Actuate lift cylinder slowly. Blade will remain on the ground, but the A-frame (1) will begin to rise. Continue until the A-frame (1) lug holes align with the holes on the vehicle mount.
4. Insert the spreader pins (7) through the holes to attach the A-frame (1) to the vehicle

- mount. Secure attachment by inserting cotter pins (8) into the spreader pins (7).
5. With the control switch in the DOWN position, push the lift channel downward as far as possible and adjust the chain so there are two links of slack.
 6. Check the cutting edge clearance. Use a combination of spacer washers until ½" clearance between the ground and cutting edge is achieved. Secure shoes by inserting the lynch pins into the shoe.

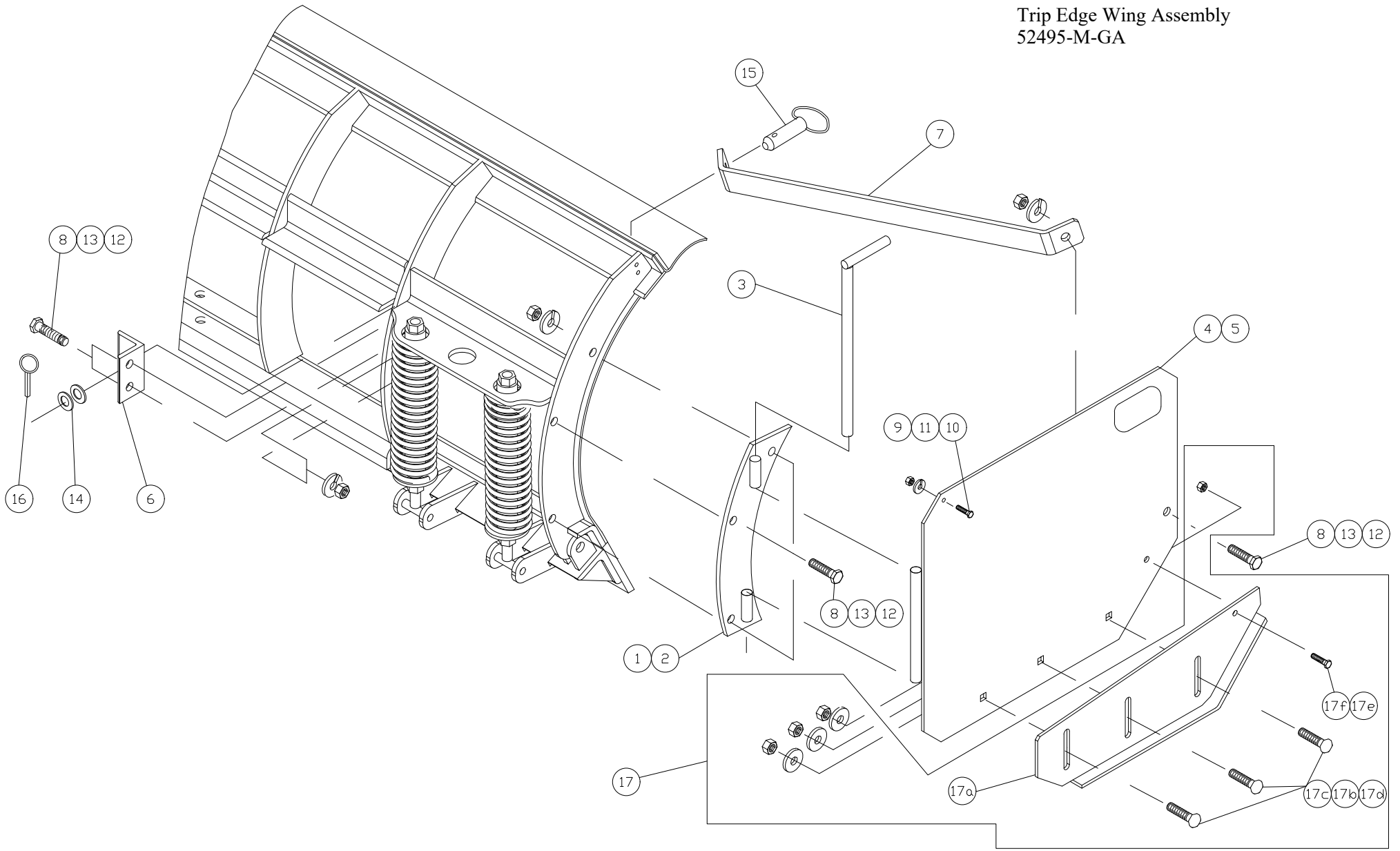


Arctic Equipment Manufacturing Corporation reserves the right under its product improvement policy to change construction or design details and furnish equipment when so altered without reference to illustrations or specifications used.

Trip Edge Wing & Shoe Assembly

52495-M-GA

Trip Edge Wing Assembly 52495-M-GA



Warning

Do not exceed the gross vehicle weight ratings (GAWR), front gross axle weight rating (FGAWR) or rear gross axle weight rating (RGAWR) specified on the Safety Compliance Certification Label located in the driver's side door opening.

Trip Edge Wing Assembly 52495-M-GA			
Item	Part	Description	Quantity
1	52509-01-D-GA	Rib Section, Left Side Galvanized (not shown)	1
2	52509-02-D-GA	Rib Section, Right Side Galvanized	1
3	52510-A-GA	Hinge Pin Galvanized	2
4	52505-01-C-GA	Wing, Left Side Galvanized (not shown)	1
5	52505-02-C-GA	Wing, Right Side Galvanized	1
6	52506-A-GA	Brace Mounting Angle Galvanized	2
7	52507-A-GA	Brace Galvanized	2
8	HH-00972-129	Bolt, 5/8" -18 x 1 3/4 HHCS	12
9	HH-00293-006	Bolt, 1/4"-20 x 1 HHCS	2
10	HH-00294-001	Hex Nut, 1/4"-20	2
11	HH-00457-006	Lock washer, 1/4"	2
12	HH-00460-001	Hex Nut, 5/8"-18	12
13	HH-00457-003	Lock washer, 5/8"	12
14	HH-00341-011	Flat washer, 1" Dia	4
15	WA-34704-01	Mounting Pin	2
16	50040-A	Lynch Pin	2
17	52547-M-GA	Wing Shoe Assembly Galvanized	2
17a	52547-B-GA	Wing Shoe Galvanized	2
17b	HH-00340-003	Hug Nut, 1/2" NC	6
17c	HH-00971-136	Carriage bolt, 1/2"-13 x 1 1/2	6
17d	HH-00341-006	Flat washer, 1/2"	6
17e	HH-00340-001	Nut Nylon Insert, 3/8"-16	2
17f	HH-00293-049	Bolt, 3/8" -16 x 1 HHCS	2

Installation Instructions

1. Install rib section (1) (2) on the blade side using three 5/8" bolts (8), lock washers (13) and nuts (12).
2. Bolt brace mounting angle (6) to the side of the rib with two 5/8" bolts (8), lock washers (13) and nuts (12).
3. Using hole in brace mounting angle (6) as a guide drill hole 1 1/32" in poly skin of trip edge.
4. Install wing plate (4) (5) to rib section (1)(2), and slide hinge pin (3) through both sleeves in rib section(1)(2) and wing (4)(5). Handle of the pin (3) should be oriented between rib section (1)(2) and wing plate (4)(5).
6. Insert 1/4" bolt (9), lock washer (11) and nut (10) through the hole on the wing (4)(5) and tighten.
5. Bolt wing shoe (17a) for wing plate (4)(5) using three 1/2" carriage bolts (17c), three flat washers (17d) and three 1/2" nuts (17b). Do not tighten.
6. With blade attached to truck and lowered, adjust desired level of the shoe, that bottom of shoe (17a) is flat on the ground.
7. When shoe (17a) is adjusted, make sure all the bolts and nuts are secured (do not tighten the bolts, as the wing shoe must float).
8. Using 7/16" hole as guide in wing shoe (17a) drill hole 13/32" through wing plate (4)(5), insert and tighten 3/8" bolt (17f) and 3/8" nylon nut (17e).
9. Install brace (7),
 - a) One end is attached to trip edge poly skin through hole 1 1/32" (see step #3) using mounting pin (15), two flat washers (14) and lynch pin (16),
 - b) Second end is attached to wing plate (4)(5) using 5/8" bolt (8), lockwasher (13) and 5/8" nut (12).